

Stainless Steel Blower Filters



Features

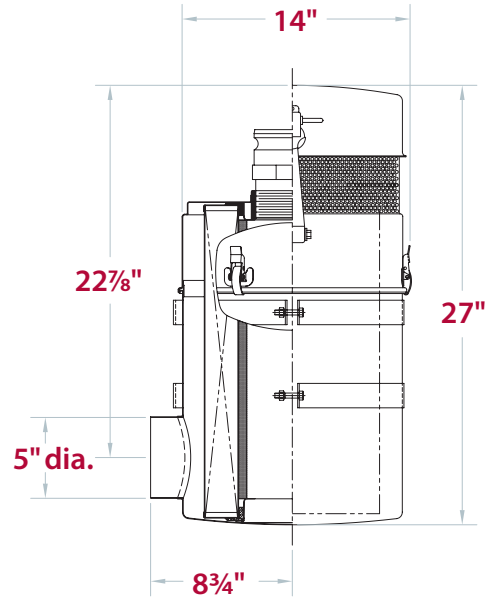
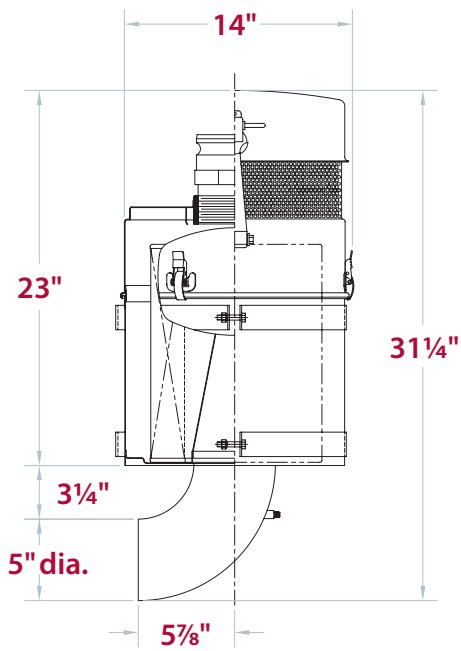
- Engineered for vacuum or pressure duty service
- Complete with 4" male camlock for vacuum service
- 5" Tube connection for maximum performance
- Includes (2) stainless steel mounting brackets
- Polished stainless steel construction
- Four heavy duty clamps keep water out and allow quick access to filter element

Engineered for Blower Models

- D807, D907
- T5CDL9, T5CDL12, T5CDL13



Experience Proven Results™



Engineered for Blower Models

- T5CDL9, T5CDL12, T5CDL13

T5 CycloBlower

- Uses standard replacement element
GDP/N: 8507413

T5 CycloBlower Kit Includes

- Bare filter canister
- Camlock
- Restriction Indicator
- Hump hose
- Hose clamps
- Two stainless steel mounting brackets
- Filter element

Engineered for Blower Models

- D807, D907
- Suitable for competitive blower models

D807

- Uses standard replacement element
GDP/N: 525000207

D807 Kit Includes

- Bare filter canister
- Camlock
- Restriction Indicator
- Two stainless steel mounting brackets
- Filter element

**Gardner
Denver**[®]

www.GardnerDenverProducts.com

Gardner Denver, Inc. 1800 Gardner Expressway, Quincy, IL 62305

www.contactgd.com/mobile

866-376-2766



Member



©2012 Gardner Denver, Inc. Printed in U.S.A. GDT-SS-FIL 2nd Ed. 1/12



Please recycle after use.