

# **Gardner** **Denver**

DRY BULK TRUCK BLOWERS

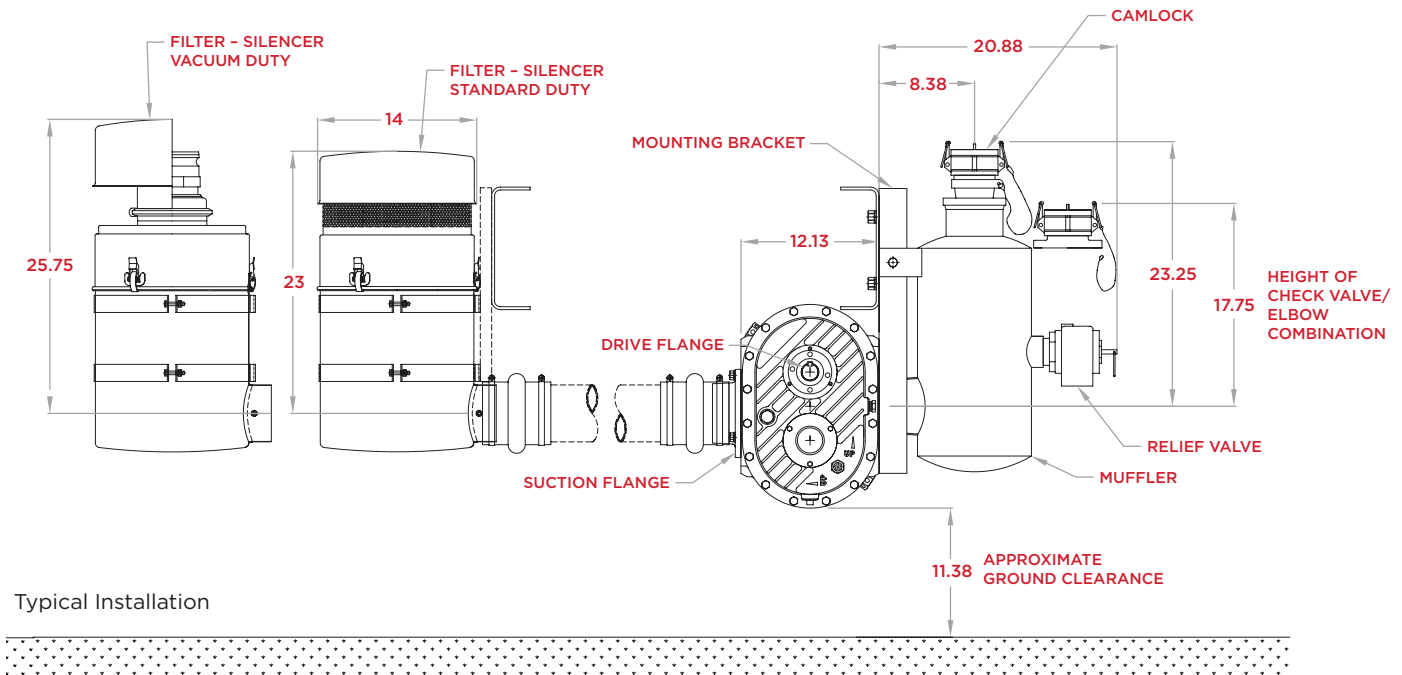
## **D807 & D907**



## High Performance Rotary Lobe Blowers

GD Dry Bulk Truck Blowers are the most versatile truck blowers available. D807 is the first truck blower in the industry to offer 20 psi continuous operation. Fitting a D807/907 on your tractor means it will be ready to do any job necessary. Keep your fleet size in control and make dispatching easy. High-pressure capability and wide speed range make these blowers ideal for:

- Cement
- Sand
- Fly ash
- Flour
- Sugar
- Grain
- Pebble lime
- Plastic pellets



## Features

- Up to 20 psig continuous duty pressure rating (D807 only)
- Oil lubrication at both ends reduces bearing temperature and eliminates the need for greasing
- Diamond port design greatly reduces noise and airflow pulsations
- Heat dissipation ribbing on body, end plates, and gear cases provides cooler discharge temperatures and allows for tighter tolerances
- Easy Installation with vertical mounting kit
- Twin drive shaft offers either direction of rotation and ensures correct alignment of drive shaft upon installation
- Packaged units available for on-site product transfer requirements through dedicated distributor networks

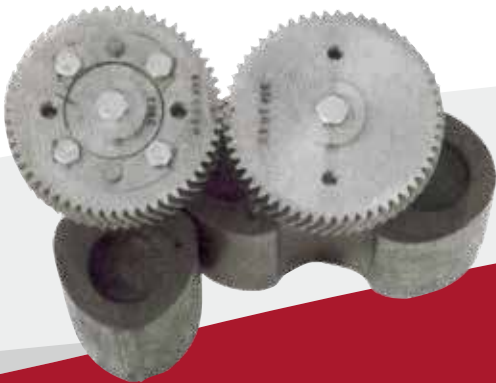
## Over Temperature & Over Pressure Protection

- Plug relieves 5-6 psi along with a 60-80° F drop in temperature, allows continued operation at lower pressure
- One plug fitted on suction side and one on the delivery side
- Reduces the likelihood of accidental overheating
- Consistent release temperature from each plug
- Visual activation indicator



## Geared for Higher Efficiency

- Dynamically balanced efficient rotors for cooler operation
- Precision ground helical gears keyed to shaft provide positive timing and easy maintenance



- Airflow up to 1300 cfm
- Pressure up to 20 psig
- Vacuum up to 17 inHg
- 12/18 Months Warranty



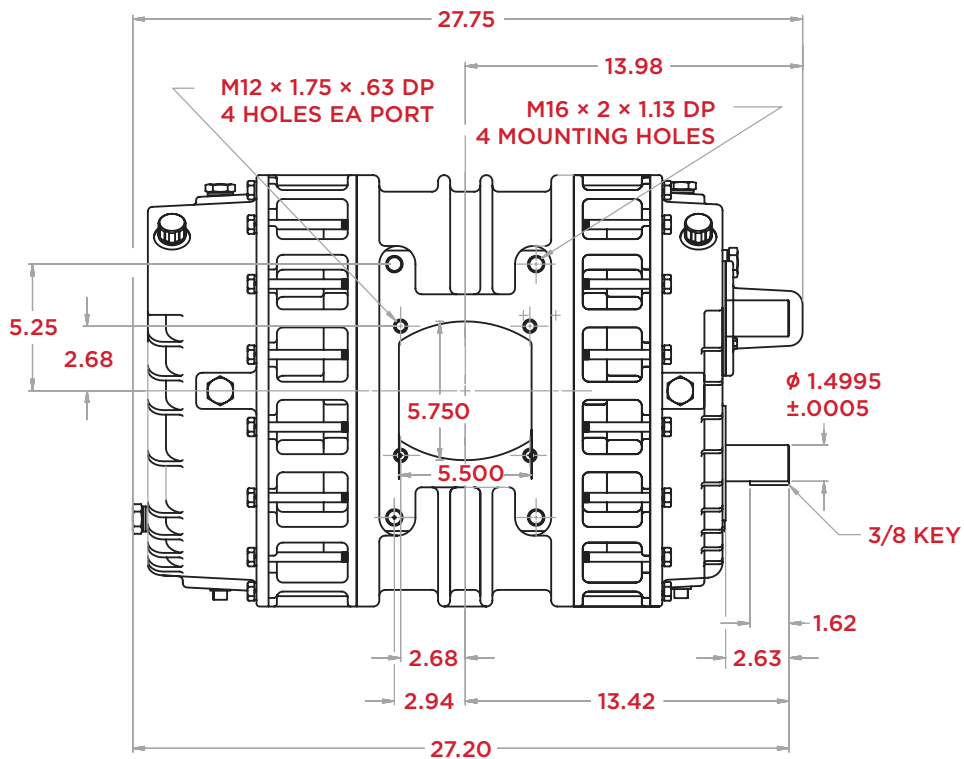
## D907 PERFORMANCE SPECIFICATIONS

PRESSURE PSI	1800 RPM		2000 RPM		2200 RPM		2400 RPM		2600 RPM		2800 RPM		3000 RPM	
	CFM	HP	CFM	HP	CFM	HP	CFM	HP	CFM	HP	CFM	HP	CFM	HP
2	733	9	826	10	918	11	1011	12	1104	13	1197	14	1290	15
4	690	17	783	18	876	20	969	22	1062	24	1155	26	1248	28
6	658	24	751	26	843	29	936	31	1029	34	1122	37	1215	40
8	630	31	723	35	816	38	909	42	1002	46	1095	50	1188	54
10	606	38	699	43	792	47	885	51	978	56	1071	61	1164	66
12	584	46	677	51	770	56	863	61	956	66	1049	71	1142	76
14	564	53	657	59	750	65	843	71	936	77	1029	84	1122	91
16	546	60	638	67	734	74	829	81	923	88	1017	96	1111	104

VACUUM IN HG	1800 RPM		2000 RPM		2200 RPM		2400 RPM		2600 RPM		2800 RPM		3000 RPM	
	CFM	HP	CFM	HP	CFM	HP	CFM	HP	CFM	HP	CFM	HP	CFM	HP
2	760	6	855	7	945	8	1040	8	1133	9	1226	9	1319	10
4	730	10	823	11	975	12	1010	13	1103	14	1196	14	1289	15
6	700	13	790	14	885	15	980	17	1073	19	1166	19	1259	20
8	670	17	763	18	853	20	950	22	1043	24	1136	24	1229	25
10	640	20	735	22	830	24	920	27	1013	29	1106	29	1199	30
12	600	24	705	26	800	28	890	32	983	34	1076	34	1169	35
14	560	28	675	30	770	33	860	36	953	39	1046	39	1139	40
16	544	31	648	33	740	37	833	40	926	44	1019	44	1112	45
17	527	33	620	36	710	40	805	44	900	49	995	49	1090	50

Performances based on inlet air at standard temperature of 68°F, and ambient pressure of 14.7 psia and 36% relative humidity. Dimensions shown in inches.

D907





# D807 & D907 Accessories

## Engineered Flexible Mounting Kits

- Lightweight aluminum discharge pipe work
- Spring loaded check valve
- Bolt on camlock 3" or 4" available
- 2" relief valve screws directly in body
- Easy installation using universal mounting bracket
- Drive flange 1300 series

## Acoustically Tuned Filter Silencer

- Radialip filter element giving greater sealing in canister
- Removable foam pre-cleaner element for cleaning and reuse, in addition the foam pre-cleaner greatly adds to noise abatement and service life
- Filter lid and screen designed to give minimal restriction and keep out water
- O-Ring type gasket seals top and bottom assemblies for maximum protection
- Powder coated inside and out
- Restriction indicator available

## Acoustically Designed Easy Bolt On Discharge Silencer

- 2" NPT port for relief valve in housing
- Port for optional pressure gauge
- Available in Stainless Steel
- Double wall construction with 1000° F packing totally enclosed to prevent any down line contamination
- Temperature gauge

## Packaged Units

Self contained package units with electric motor, diesel engine or hydraulic drive can be supplied through Gardner Denver distribution networks.



# Sales & Service **Distributors** Across America

## An Extensive Network

By leveraging the extensive network of Gardner Denver factory-trained authorized local distributors, your sales, service, and technical support needs can be handled quickly and easily.

To find a distributor visit:

[gardnerdenver.com/gdproducts](http://gardnerdenver.com/gdproducts)



## Full **Warranty**

### Experience Peace of Mind

The engineering philosophy of Gardner Denver ensures long-lasting, reliable equipment. Our simple, but bold warranty programs demonstrate our belief in the quality found in Gardner Denver equipment.

Gardner Denver carries one of the industry's strongest warranties—12 months from date of initial use or 18 months from date of shipment to the first purchaser, whichever occurs first.

The leader in every market we serve  
by continuously improving all business processes  
with a focus on innovation and velocity

**Gardner  
Denver**<sup>®</sup>

**Gardner Denver, Inc.**

1800 Gardner Expressway  
Quincy, IL 62305  
866-376-8181

[www.gardnerdenver.com/gdproducts](http://www.gardnerdenver.com/gdproducts)



©2018 Gardner Denver, Inc. Printed in U.S.A.  
GDT-D807-D907 2nd Ed. 9/18

Please recycle after use.